

# Component Fibre in Fibre out Waveguide WGCO-M-1560-40

Version 4.1 /2021

## Covesion's Fibre-coupled (input and output) component waveguide for CW Second Harmonic Generation (SHG)

Designed for both OEMs and Researchers who need  
up to 500mW output power

- **A reliable way of 1558nm-1562nm pumped SHG**
- **Robust with long lifetime**
- **Maximum input power up to 2W**
- **Simple to use**
- **Compatible with existing OC2 and OC3 Temperature controllers**



### Specification

Non-Linear Interaction	Type 0
Input wavelength range for SHG [nm]	1558-1562
Output wavelength range [nm]	779-781
Phase match temperature between [°C]	30 to 110
Recommended max. CW pump launch [W]	2
CW pump launch required for 500mW SHG output [W]	<2
Typical module efficiency (@2W in) [%]	>25
Fiber connector	PM-FC-APC
Connector Keyway Alignment	Slow Axis
Weight [g]	100
Dimension (Excluding Connector) [mm]	87 x 22 x 17

**Contact us to discuss availability and pricing**

Email [sales@covesion.com](mailto:sales@covesion.com)  
Tel +44 (0)1794 521 638  
Web [www.covesion.com](http://www.covesion.com)

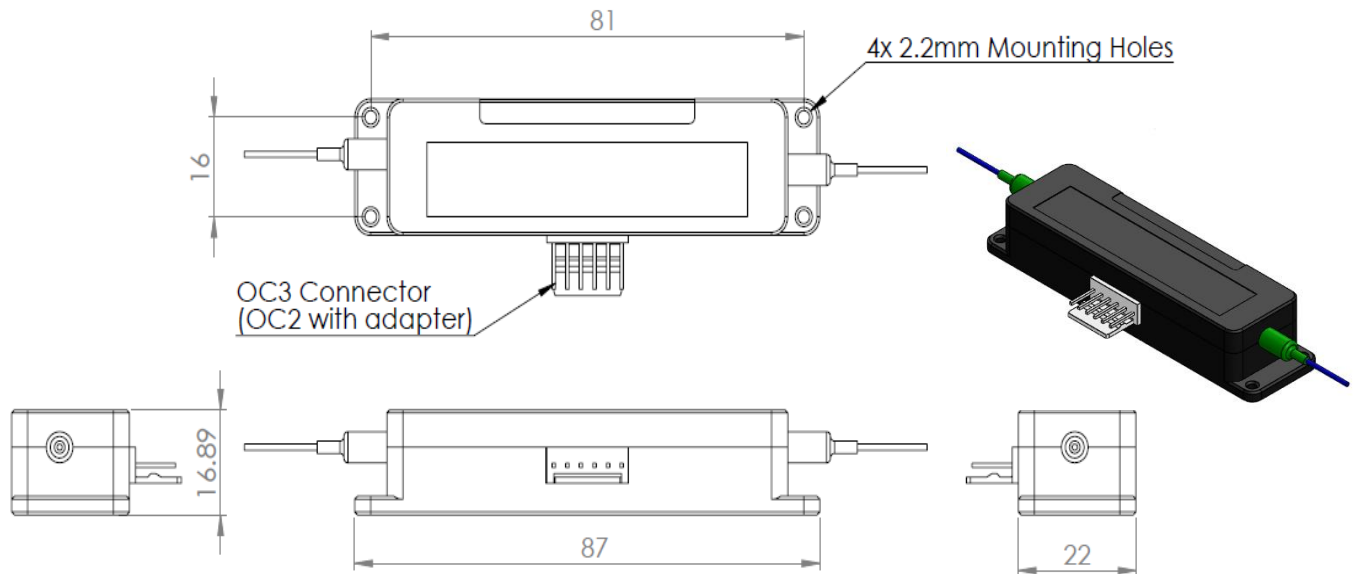


# Component Fibre in Fibre out Waveguide WGCO-M-1560-40

Version 4.1 /2021

## Covesion's Fibre-coupled (input and output) component waveguide for CW Second Harmonic Generation (SHG)

Designed for both OEMs and Researchers who need  
up to 500mW output power



### Accessories

OC3 Temperature Controller

Fibre patchcord pack specifically matched to the output fibre

Component WG module to OC2 adapter kit



Contact us to discuss availability and pricing

Email [sales@covesion.com](mailto:sales@covesion.com)  
Tel +44 (0)1794 521 638  
Web [www.covesion.com](http://www.covesion.com)

