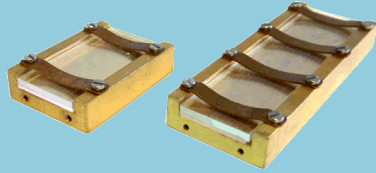


# PPLN Clip Kits

version 2.0/2021

The **Covesion PPLN Clip Kits** provide secure mounting of our PPLN crystals.

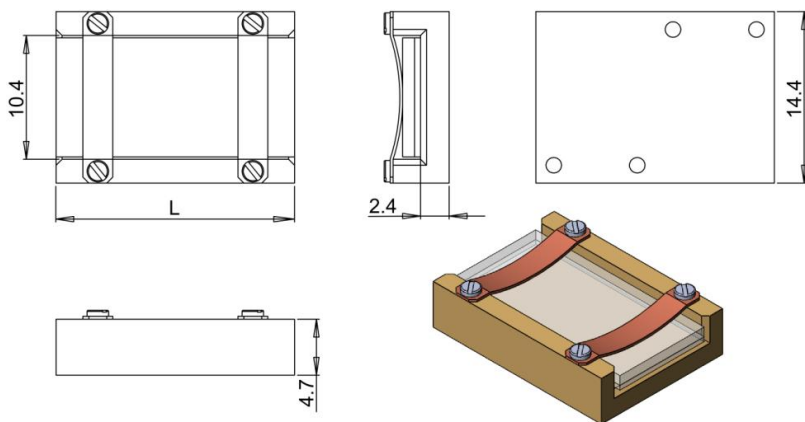
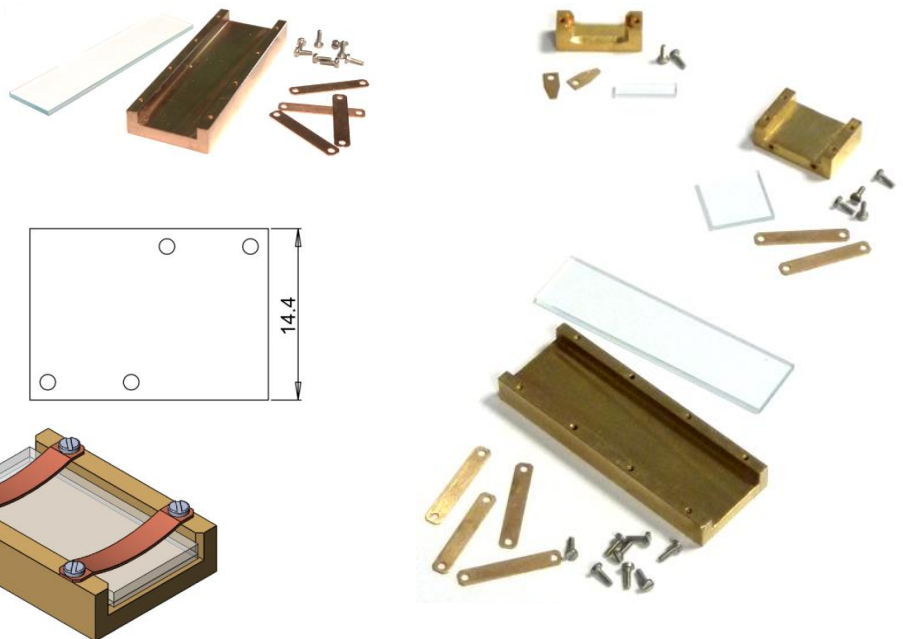
## Key Features



- Simple pin-aligned mounting in PPLN ovens
- Uniform temperature distribution
- Spring clips secure the crystal with minimal stress
- ITO coated cover glass provides electrostatic charge dissipation

## Each clip kit contains:

- a clip body
- an ITO coated cover glass
- a number of springs and screws



Product Code	Crystal Length <sup>a</sup> mm	Clip Body Length, L mm	Crystal Thickness <sup>a,b</sup> mm	Crystal Width <sup>a</sup> mm
PC1	1	1	1	10
PC10	10	10		
PC20	20	20		
PC40	40	40		
PC50	50	50		

a. Maximum recommended.

b. Includes a 1mm thick ITO coated cover glass.

For more information, please contact us at:

tel: +44 (0)1794 521 638

email: [sales@covesion.com](mailto:sales@covesion.com)

[www.covesion.com](http://www.covesion.com)

Covesion Ltd.

Unit F3, Adanac North, Adanac Drive, Nursling, Southampton, SO16 0BT, UK

Registered in England No. 06338847, VAT No. 943 1896 00

Copyright © 2021 Covesion Ltd.

